

Bảng thông số sản phẩm

Thông số kỹ thuật



circuit breaker, EasyPact EZC100N, TMD, 30A, 4 poles 3d

EZC100N4030

Main

| | |
|--|---|
| Range Of Product | EasyPact |
| Product Or Component Type | Circuit breaker |
| Device Short Name | Easypact EZC100N |
| Circuit Breaker Name | Easypact EZC100N |
| Device Application | Distribution |
| Poles Description | 4P |
| Protected Poles Description | 3t |
| Network Type | AC DC |
| Network Frequency | 50/60 Hz |
| [In] Rated Current | 30 A at 40 °C |
| [Ui] Rated Insulation Voltage | 690 V AC 50/60 Hz conforming to IEC 60947-2 |
| [Uimp] Rated Impulse Withstand Voltage | 6 kV conforming to IEC 60947-2 |
| [Ue] Rated Operational Voltage | 550 V AC 50/60 Hz conforming to IEC 60947-2 250 V DC conforming to IEC 60947-2 |
| Breaking Capacity Code | N |
| Breaking Capacity | 10 kA Icu at 440 V AC 50/60 Hz conforming to IEC 60947-2 25 kA Icu at 110...130 V AC 50/60 Hz conforming to IEC 60947-2 25 kA Icu at 220...240 V AC 50/60 Hz conforming to IEC 60947-2 5 kA Icu at 125 V DC 1P conforming to IEC 60947-2 5 kA Icu at 250 V DC 2P conforming to IEC 60947-2 5 kA Icu at 550 V AC 50/60 Hz conforming to IEC 60947-2 15 kA Icu at 415 V AC 50/60 Hz conforming to IEC 60947-2 18 kA Icu at 380...400 V AC 50/60 Hz conforming to IEC 60947-2 |
| [Ics] Rated Service Breaking Capacity | 5 kA at 440 V AC 50/60 Hz conforming to IEC 60947-2 2.5 kA at 125 V DC conforming to IEC 60947-2 2.5 kA at 250 V DC conforming to IEC 60947-2 2.5 kA at 550 V AC 50/60 Hz conforming to IEC 60947-2 12.5 kA at 220...240 V AC 50/60 Hz conforming to IEC 60947-2 12.5 kA at 110...130 V AC 50/60 Hz conforming to IEC 60947-2 9 kA at 380...400 V AC 50/60 Hz conforming to IEC 60947-2 7.5 kA at 415 V AC 50/60 Hz conforming to IEC 60947-2 |
| Suitability For Isolation | Yes conforming to IEC 60947-2 |
| Utilisation Category | Category A |
| Trip Unit Name | TM-D |
| Trip Unit Technology | Thermal-magnetic |
| Trip Unit Rating | 30 A at 50 °C |
| Protection Type | Overload protection Short-circuit protection |

| | |
|------------------|---------------------------|
| Pollution Degree | 3 conforming to IEC 60947 |
|------------------|---------------------------|

Complementary

| | |
|----------------------------|---|
| Control Type | Toggle |
| Mounting Mode | Fixed |
| Mounting Support | Backplate |
| Upside Connection | Front |
| Downside Connection | Front |
| Mechanical Durability | 8500 cycles |
| Electrical Durability | Category A: 1500 cycles 415 V AC 50/60 Hz conforming to IEC 60947-2 |
| Connection Pitch | 25 mm |
| Local Signalling | Positive contact indication |
| Neutral Protection Setting | Without protection |
| Earth-Leakage Protection | Without |
| Height | 130 mm |
| Width | 100 mm |
| Depth | 60 mm |

Environment

| | |
|---------------------------------------|---|
| Standards | GB/T 14048.2 EN/IEC 60947-2 EN/IEC 60947-1 JIS C8201-2-2 |
| Ip Degree Of Protection | IP20 conforming to IEC 60529 |
| Ik Degree Of Protection | IK07 conforming to EN 50102 |
| Ambient Air Temperature For Operation | -25...70 °C |
| Ambient Air Temperature For Storage | -35...85 °C |

Packing Units

| | |
|------------------------------|----------|
| Unit Type Of Package 1 | PCE |
| Number Of Units In Package 1 | 1 |
| Package 1 Height | 9.7 cm |
| Package 1 Width | 10.7 cm |
| Package 1 Length | 13.8 cm |
| Package 1 Weight | 988 g |
| Unit Type Of Package 2 | S02 |
| Number Of Units In Package 2 | 9 |
| Package 2 Height | 15 cm |
| Package 2 Width | 30 cm |
| Package 2 Length | 40 cm |
| Package 2 Weight | 9.218 kg |
| Unit Type Of Package 3 | PAL |
| Number Of Units In Package 3 | 288 |

| | |
|-------------------------|-----------|
| Package 3 Height | 80 cm |
| Package 3 Width | 120 cm |
| Package 3 Length | 288 cm |
| Package 3 Weight | 293.76 kg |

Contractual warranty

| | |
|-----------------|-----------|
| Warranty | 18 months |
|-----------------|-----------|

Bền vững

Nhãn **Green Premium™** là cam kết của Schneider Electric trong việc cung cấp sản phẩm với hiệu suất môi trường tốt nhất. Green Premium cam kết tuân thủ các quy định mới nhất, minh bạch về tác động môi trường, cũng như các sản phẩm tuần hoàn và CO₂ thấp.

Hướng dẫn đánh giá tính bền vững của sản phẩm là tài liệu kỹ thuật phổ thông giúp làm rõ các tiêu chuẩn nhân sinh thái toàn cầu và cách diễn giải việc khai báo môi trường.

[Tìm hiểu thêm về Green Premium >](#)

[Hướng dẫn đánh giá về sự bền vững của sản phẩm >](#)



Minh bạch **RoHS/REACH**

Hiệu suất sức khỏe

Reach Free Of Svhc

Toxic Heavy Metal Free

Mercury Free

Rohs Exemption Information **Yes**

Chứng nhận & Tiêu chuẩn

Reach Regulation

[REACH Declaration](#)

Eu Rohs Directive

Compliant

[EU RoHS Declaration](#)

China Rohs Regulation

[China RoHS declaration](#)

Environmental Disclosure

[Product Environmental Profile](#)

Weee

The product must be disposed on European Union markets following specific waste collection and never end up in rubbish bins

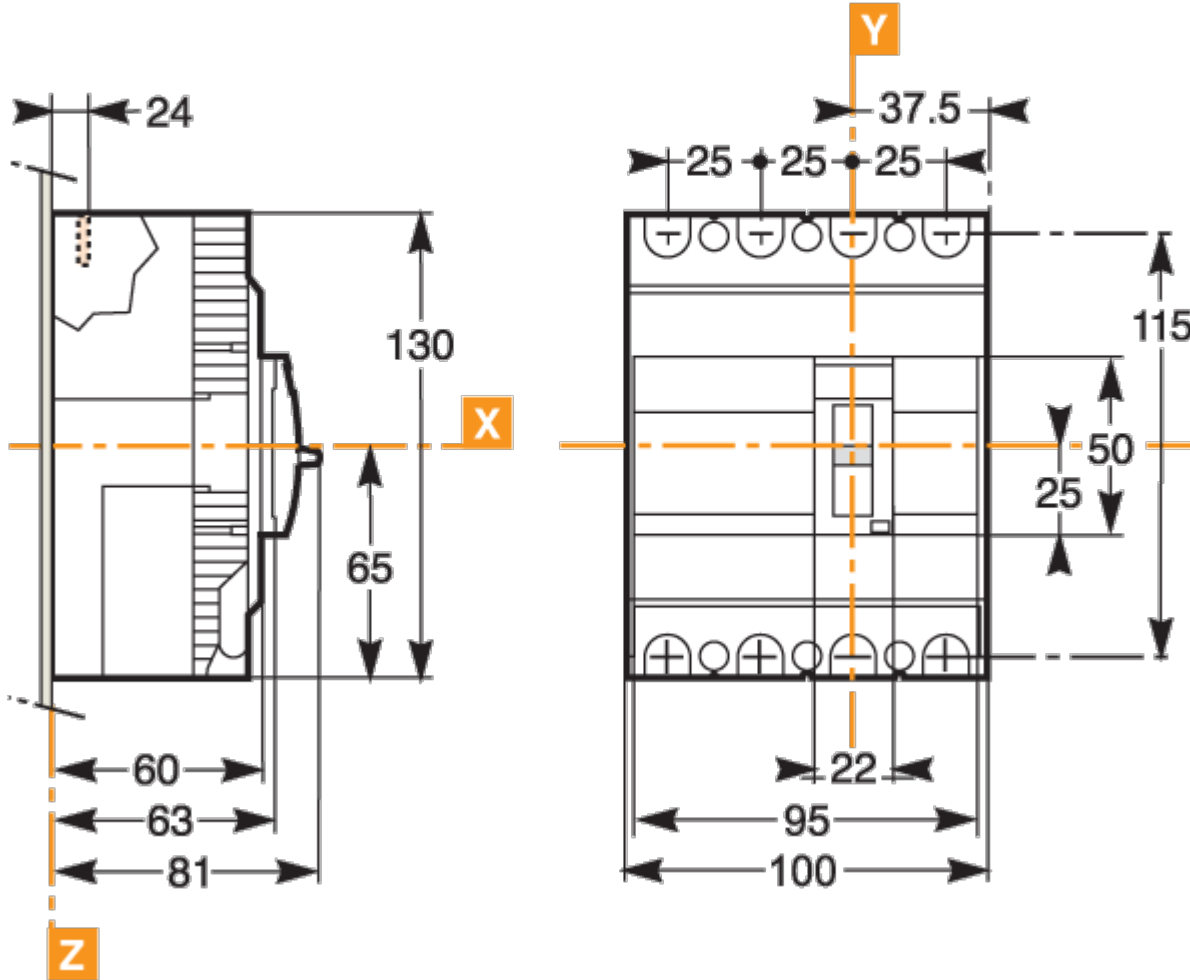
Circularity Profile

No need of specific recycling operations

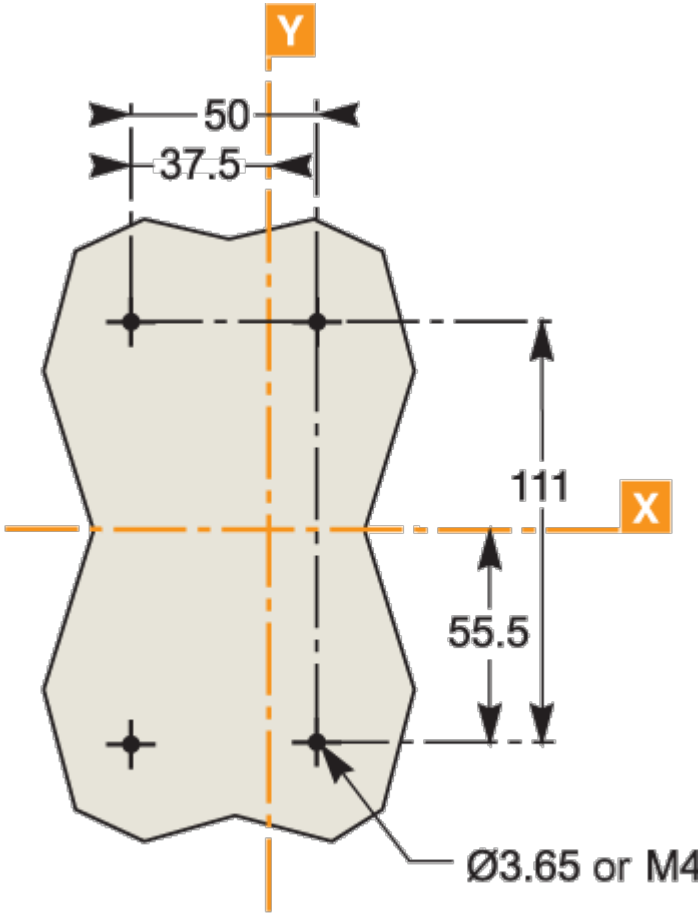
Bảng thông số sản phẩm

EZC100N4030

Dimensions Drawings



Assembly



Performance Curves

