

Bảng thông số sản phẩm

Thông số kỹ thuật



circuit breaker, EasyPact EZC100H , TMD, 20A , 2 poles 2d

EZC100H2020

Main

Range Of Product	EasyPact
Product Or Component Type	Circuit breaker
Device Short Name	Easypact EZC100H
Circuit Breaker Name	Easypact EZC100H
Device Application	Distribution
Poles Description	2P
Protected Poles Description	2t
Network Type	DC AC
Network Frequency	50/60 Hz
[In] Rated Current	20 A at 40 °C
[Ui] Rated Insulation Voltage	690 V AC 50/60 Hz conforming to IEC 60947-2
[Uimp] Rated Impulse Withstand Voltage	6 kV conforming to IEC 60947-2
[Ue] Rated Operational Voltage	550 V AC 50/60 Hz conforming to IEC 60947-2 250 V DC conforming to IEC 60947-2
Breaking Capacity Code	H
Breaking Capacity	10 kA Icu at 125 V DC 1P conforming to IEC 60947-2 10 kA Icu at 250 V DC 2P conforming to IEC 60947-2 10 kA Icu at 550 V AC 50/60 Hz conforming to IEC 60947-2 100 kA Icu at 110...130 V AC 50/60 Hz conforming to IEC 60947-2 20 kA Icu at 440 V AC 50/60 Hz conforming to IEC 60947-2 30 kA Icu at 380 V AC 50/60 Hz conforming to IEC 60947-2 30 kA Icu at 400...415 V AC 50/60 Hz conforming to IEC 60947-2 50 kA Icu at 220...240 V AC 50/60 Hz conforming to IEC 60947-2
[Ics] Rated Service Breaking Capacity	15 kA at 380 V AC 50/60 Hz conforming to IEC 60947-2 5 kA at 125 V DC conforming to IEC 60947-2 5 kA at 250 V DC conforming to IEC 60947-2 50 kA at 110/130 V AC 50/60 Hz conforming to IEC 60947-2 5 kA at 440 V AC 50/60 Hz conforming to IEC 60947-2 2.5 kA at 550 V AC 50/60 Hz conforming to IEC 60947-2 7.5 kA at 400/415 V AC 50/60 Hz conforming to IEC 60947-2 25 kA at 220/230/240 V AC 50/60 Hz conforming to IEC 60947-2
Suitability For Isolation	Yes conforming to IEC 60947-2
Utilisation Category	Category A
Trip Unit Name	TM-D
Trip Unit Technology	Thermal-magnetic
Trip Unit Rating	20 A at 50 °C
Protection Type	Overload protection Short-circuit protection

Pollution Degree	3 conforming to IEC 60664-1 3 conforming to IEC 947-1
-------------------------	--

Complementary

Control Type	Toggle
Mounting Mode	Fixed
Mounting Support	Backplate
Upside Connection	Front
Downside Connection	Front
Mechanical Durability	8500 cycles
Electrical Durability	Category A: 1500 cycles 415 V AC 50/60 Hz conforming to IEC 60947-2
Connection Pitch	25 mm
Local Signalling	Positive contact indication
Neutral Protection Setting	Without protection
Earth-Leakage Protection	Without
Height	130 mm
Width	50 mm
Depth	60 mm

Environment

Standards	EN/IEC 60947-2 GB/T 14048.2 JIS C8201-2-2 EN/IEC 60947-1
Ip Degree Of Protection	IP20 conforming to IEC 60529
Ik Degree Of Protection	IK07 conforming to IEC 62262
Ambient Air Temperature For Operation	-25...70 °C
Ambient Air Temperature For Storage	-35...85 °C

Packing Units

Unit Type Of Package 1	PCE
Number Of Units In Package 1	1
Package 1 Height	9.5 cm
Package 1 Width	5.5 cm
Package 1 Length	14.0 cm
Package 1 Weight	559.0 g
Unit Type Of Package 2	S02
Number Of Units In Package 2	18
Package 2 Height	15.0 cm
Package 2 Width	30.0 cm
Package 2 Length	40.0 cm
Package 2 Weight	10.517 kg
Unit Type Of Package 3	P12

Number Of Units In Package 3	576
Package 3 Height	75 cm
Package 3 Width	120 cm
Package 3 Length	80 cm
Package 3 Weight	347 kg

Contractual warranty

Warranty	18 months
-----------------	-----------

Bền vững

Nhãn **Green Premium™** là cam kết của Schneider Electric trong việc cung cấp sản phẩm với hiệu suất môi trường tốt nhất. Green Premium cam kết tuân thủ các quy định mới nhất, minh bạch về tác động môi trường, cũng như các sản phẩm tuần hoàn và CO₂ thấp.

Hướng dẫn đánh giá tính bền vững của sản phẩm là tài liệu kỹ thuật phổ thông giúp làm rõ các tiêu chuẩn nhân sinh thái toàn cầu và cách diễn giải việc khai báo môi trường.

[Tìm hiểu thêm về Green Premium >](#)

[Hướng dẫn đánh giá về sự bền vững của sản phẩm >](#)



Minh bạch **RoHS/REACH**

Hiệu suất sức khỏe

Reach Free Of Svhc

Toxic Heavy Metal Free

Mercury Free

Rohs Exemption Information **Yes**

Chứng nhận & Tiêu chuẩn

Reach Regulation

[REACH Declaration](#)

Eu Rohs Directive

Compliant

[EU RoHS Declaration](#)

China Rohs Regulation

[China RoHS declaration](#)

Environmental Disclosure

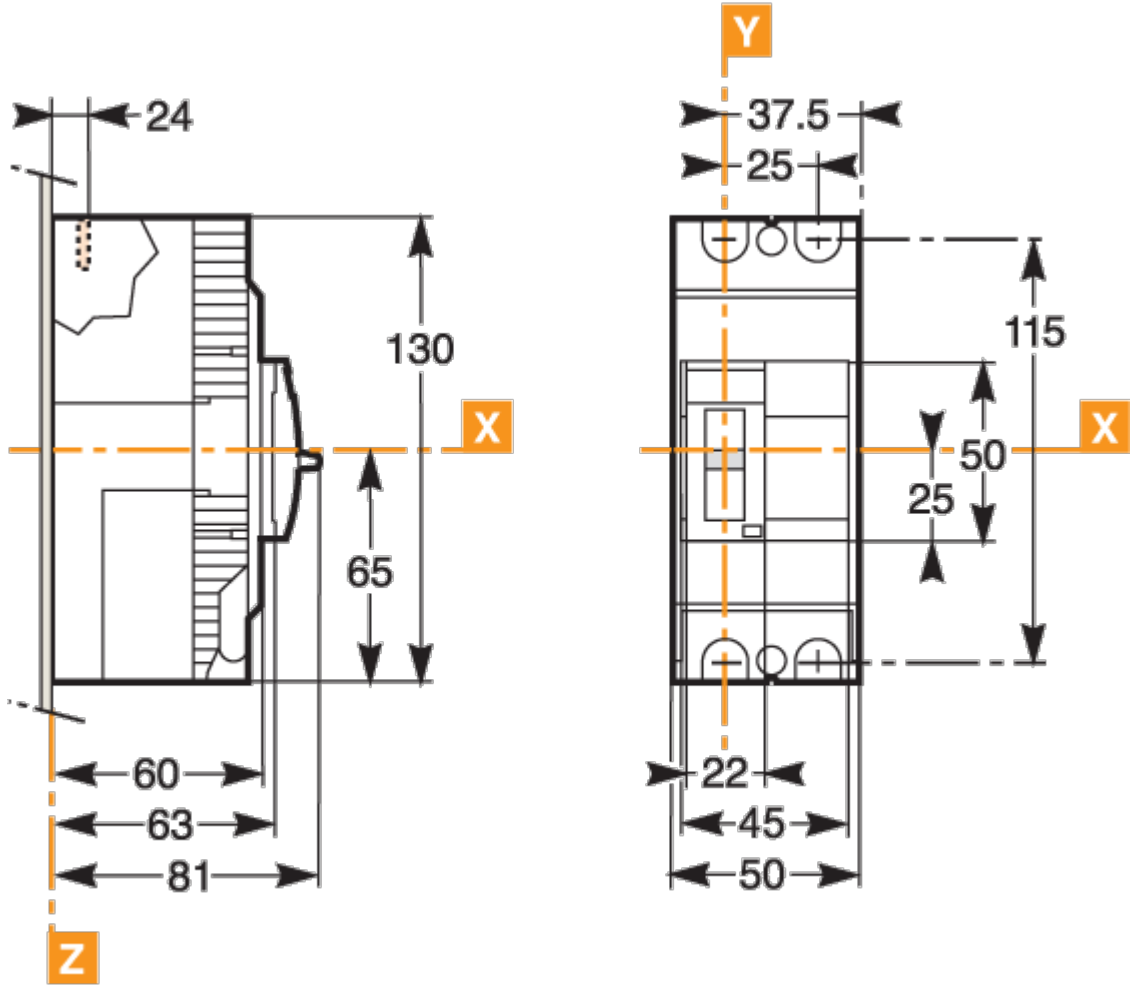
[Product Environmental Profile](#)

Weee

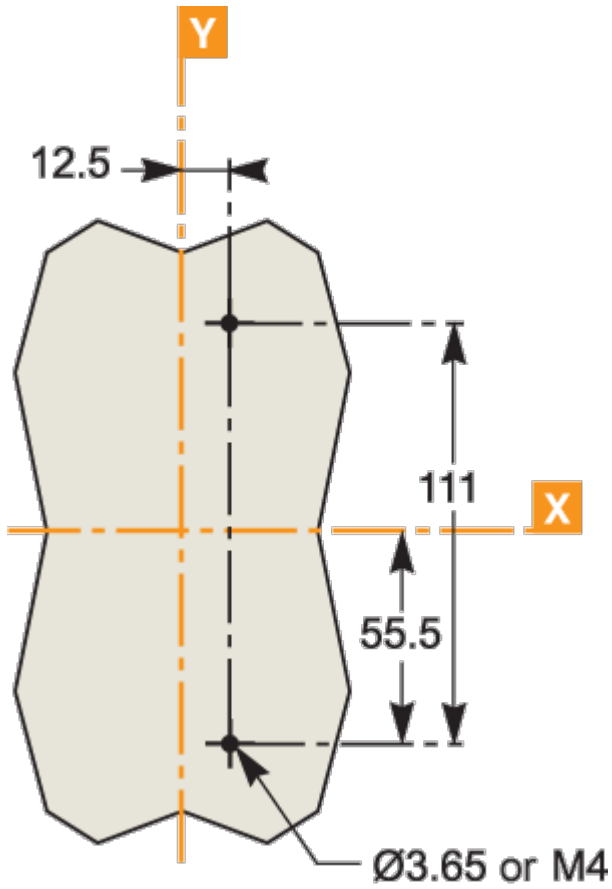
The product must be disposed on European Union markets following specific waste collection and never end up in rubbish bins

Circularity Profile

No need of specific recycling operations



Assembly



Performance Curves

