

Product data sheet

Specifications



circuit breaker EasyPact EZC100N - TMD - 80 A - 1 pole 1d

EZC100N1080

Main

| | |
|--|---|
| Range Of Product | EasyPact |
| Product Or Component Type | Circuit breaker |
| Device Short Name | EasyPact EZC100N |
| Circuit Breaker Name | EasyPact EZC100N |
| Device Application | Distribution |
| Poles Description | 1P |
| Protected Poles Description | 1t |
| Network Type | DC AC |
| Network Frequency | 50/60 Hz |
| [In] Rated Current | 80 A at 40 °C |
| [Ui] Rated Insulation Voltage | 690 V AC 50/60 Hz conforming to IEC 60947-2 |
| [Uimp] Rated Impulse Withstand Voltage | 6 kV conforming to IEC 60947-2 |
| [Ue] Rated Operational Voltage | 125 V DC conforming to IEC 60947-2 415 V AC 50/60 Hz conforming to IEC 60947-2 |
| Breaking Capacity Code | N |
| Breaking Capacity | 25 kA Icu at 110...130 V AC 50/60 Hz conforming to IEC 60947-2 5 kA Icu at 125 V DC 1P conforming to IEC 60947-2 18 kA Icu at 220...240 V AC 50/60 Hz conforming to IEC 60947-2 2.5 kA Icu at 380 V AC 50/60 Hz conforming to IEC 60947-2 2.5 kA Icu at 400...415 V AC 50/60 Hz conforming to IEC 60947-2 |
| [Ics] Rated Service Breaking Capacity | 12.5 kA at 110/130 V AC 50/60 Hz conforming to IEC 60947-2 2.5 kA at 125 V DC conforming to IEC 60947-2 9 kA at 220/230/240 V AC 50/60 Hz conforming to IEC 60947-2 1.25 kA at 380 V AC 50/60 Hz conforming to IEC 60947-2 1.25 kA at 400/415 V AC 50/60 Hz conforming to IEC 60947-2 |
| Suitability For Isolation | Yes conforming to IEC 60947-2 |
| Utilisation Category | Category A |
| Trip Unit Name | TM-D |
| Trip Unit Technology | Thermal-magnetic |
| Trip Unit Rating | 80 A at 50 °C |
| Protection Type | Short-circuit protection Overload protection |
| Pollution Degree | 3 conforming to IEC 60664-1 3 conforming to IEC 947-1 |

Complementary

List Price displayed is VAT EXCLUSIVE.

| | |
|-----------------------------------|---|
| Control Type | Toggle |
| Mounting Mode | Fixed |
| Mounting Support | Backplate |
| Upside Connection | Front |
| Downside Connection | Front |
| Mechanical Durability | 8500 cycles |
| Electrical Durability | Category A: 1500 cycles 415 V AC 50/60 Hz conforming to IEC 60947-2 |
| Connection Pitch | 25 mm |
| Local Signalling | Positive contact indication |
| Neutral Protection Setting | Without protection |
| Earth-Leakage Protection | Without |
| Height | 130 mm |
| Width | 25 mm |
| Depth | 60 mm |

Environment

| | |
|--|---|
| Standards | EN/IEC 60947-1 GB/T 14048.2 EN/IEC 60947-2 JIS C8201-2-2 |
| Ip Degree Of Protection | IP20 conforming to IEC 60529 |
| Ik Degree Of Protection | IK07 conforming to IEC 62262 |
| Ambient Air Temperature For Operation | -25...70 °C |
| Ambient Air Temperature For Storage | -35...85 °C |

Packing Units

| | |
|-------------------------------------|----------|
| Unit Type Of Package 1 | PCE |
| Number Of Units In Package 1 | 1 |
| Package 1 Height | 14 cm |
| Package 1 Width | 3 cm |
| Package 1 Length | 9.5 cm |
| Package 1 Weight | 353 g |
| Unit Type Of Package 2 | S02 |
| Number Of Units In Package 2 | 32 |
| Package 2 Height | 15 cm |
| Package 2 Width | 30 cm |
| Package 2 Length | 40 cm |
| Package 2 Weight | 11.53 kg |
| Unit Type Of Package 3 | P12 |
| Number Of Units In Package 3 | 1024 |
| Package 3 Height | 75 cm |
| Package 3 Width | 80 cm |

| | |
|------------------|--------|
| Package 3 Length | 120 cm |
|------------------|--------|

| | |
|------------------|--------|
| Package 3 Weight | 378 kg |
|------------------|--------|

Contractual warranty

| | |
|----------|-----------|
| Warranty | 18 months |
|----------|-----------|

Sustainability

Green Premium™ label is Schneider Electric's commitment to delivering products with best-in-class environmental performance. Green Premium promises compliance with the latest regulations, transparency on environmental impacts, as well as circular and low-CO₂ products.

Guide to assessing product sustainability is a white paper that clarifies global eco-label standards and how to interpret environmental declarations.

[Learn more about Green Premium >](#)

[Guide to assess a product's sustainability >](#)



Transparency RoHS/REACH

Well-being performance

Reach Free Of Svhc

Toxic Heavy Metal Free

Mercury Free

Rohs Exemption Information Yes

Certifications & Standards

Reach Regulation

[REACH Declaration](#)

Eu Rohs Directive

Compliant

[EU RoHS Declaration](#)

China Rohs Regulation

[China RoHS declaration](#)

Environmental Disclosure

[Product Environmental Profile](#)

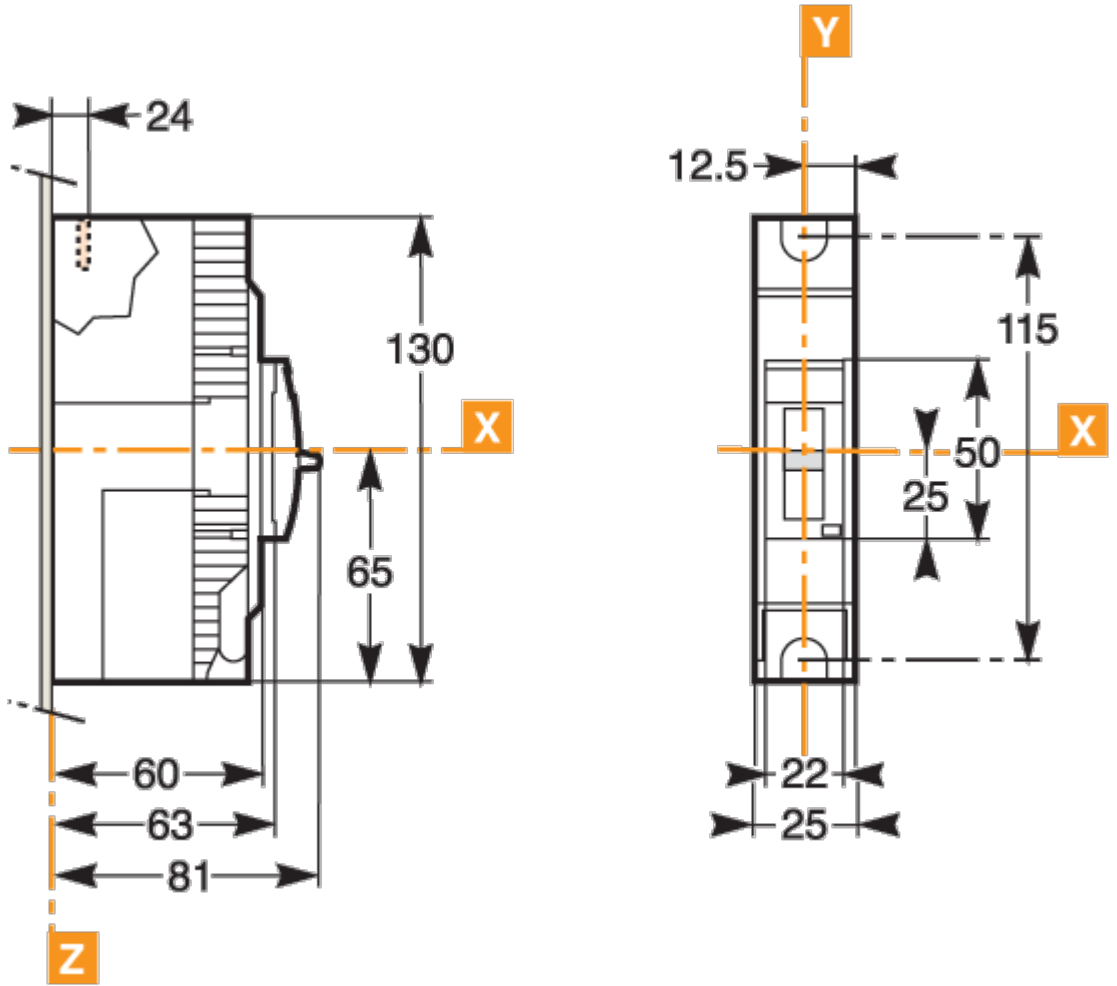
Weee

The product must be disposed on European Union markets following specific waste collection and never end up in rubbish bins

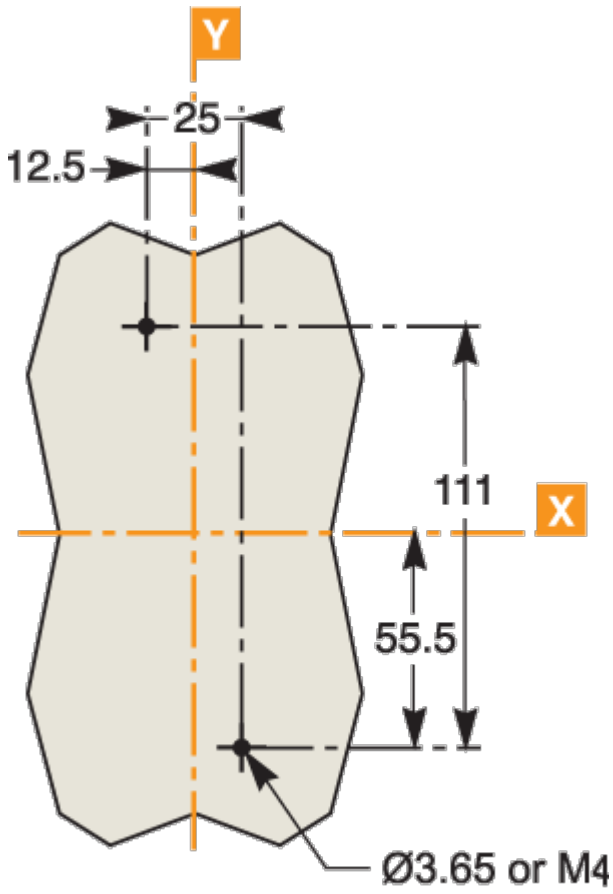
Circularity Profile

No need of specific recycling operations

Dimensions Drawings



Assembly



Performance Curves

