

# Bảng thông số sản phẩm

Thông số kỹ thuật



## circuit breaker, EasyPact EZC100H , TMD, 50A , 1 pole 1d

EZC100H1050

### Main

Range Of Product	EasyPact
Product Or Component Type	Circuit breaker
Device Short Name	Easypact EZC100H
Circuit Breaker Name	Easypact EZC100H
Device Application	Distribution
Poles Description	1P
Protected Poles Description	1t
Network Type	DC AC
Network Frequency	50/60 Hz
[In] Rated Current	50 A at 40 °C
[Ui] Rated Insulation Voltage	690 V AC 50/60 Hz conforming to IEC 60947-2
[Uimp] Rated Impulse Withstand Voltage	6 kV conforming to IEC 60947-2
[Ue] Rated Operational Voltage	125 V DC conforming to IEC 60947-2 415 V AC 50/60 Hz conforming to IEC 60947-2
Breaking Capacity Code	H
Breaking Capacity	10 kA Icu at 125 V DC 1P conforming to IEC 60947-2 25 kA Icu at 220...240 V AC 50/60 Hz conforming to IEC 60947-2 5 kA Icu at 380 V AC 50/60 Hz conforming to IEC 60947-2 5 kA Icu at 400...415 V AC 50/60 Hz conforming to IEC 60947-2 50 kA Icu at 110...130 V AC 50/60 Hz conforming to IEC 60947-2
[Ics] Rated Service Breaking Capacity	5 kA at 125 V DC conforming to IEC 60947-2 12.5 kA at 220/230/240 V AC 50/60 Hz conforming to IEC 60947-2 25 kA at 110/130 V AC 50/60 Hz conforming to IEC 60947-2 2.5 kA at 380 V AC 50/60 Hz conforming to IEC 60947-2 2.5 kA at 400/415 V AC 50/60 Hz conforming to IEC 60947-2
Suitability For Isolation	Yes conforming to IEC 60947-2
Utilisation Category	Category A
Trip Unit Name	TM-D
Trip Unit Technology	Thermal-magnetic
Trip Unit Rating	50 A at 50 °C
Protection Type	Overload protection Short-circuit protection
Pollution Degree	3 conforming to IEC 60664-1 3 conforming to IEC 947-1

### Complementary

<b>Control Type</b>	Toggle
<b>Mounting Mode</b>	Fixed
<b>Mounting Support</b>	Backplate
<b>Upside Connection</b>	Front
<b>Downside Connection</b>	Front
<b>Mechanical Durability</b>	8500 cycles
<b>Electrical Durability</b>	Category A: 1500 cycles 415 V AC 50/60 Hz conforming to IEC 60947-2
<b>Connection Pitch</b>	25 mm
<b>Local Signalling</b>	Positive contact indication
<b>Neutral Protection Setting</b>	Without protection
<b>Earth-Leakage Protection</b>	Without
<b>Height</b>	130 mm
<b>Width</b>	25 mm
<b>Depth</b>	60 mm

## Environment

<b>Standards</b>	GB/T 14048.2 EN/IEC 60947-1 JIS C8201-2-2 EN/IEC 60947-2
<b>Ip Degree Of Protection</b>	IP20 conforming to IEC 60529
<b>Ik Degree Of Protection</b>	IK07 conforming to IEC 62262
<b>Ambient Air Temperature For Operation</b>	-25...70 °C
<b>Ambient Air Temperature For Storage</b>	-35...85 °C

## Packing Units

<b>Unit Type Of Package 1</b>	PCE
<b>Number Of Units In Package 1</b>	1
<b>Package 1 Height</b>	14.0 cm
<b>Package 1 Width</b>	3.0 cm
<b>Package 1 Length</b>	10.0 cm
<b>Package 1 Weight</b>	333.0 g
<b>Unit Type Of Package 2</b>	S02
<b>Number Of Units In Package 2</b>	32
<b>Package 2 Height</b>	15.0 cm
<b>Package 2 Width</b>	30.0 cm
<b>Package 2 Length</b>	40.0 cm
<b>Package 2 Weight</b>	11.111 kg
<b>Unit Type Of Package 3</b>	P12
<b>Number Of Units In Package 3</b>	1024
<b>Package 3 Height</b>	75 cm
<b>Package 3 Width</b>	120 cm

---

Package 3 Length	80 cm
------------------	-------

---

Package 3 Weight	377 kg
------------------	--------

## Contractual warranty

---

Warranty	18 months
----------	-----------

## Bền vững

Nhãn **Green Premium™** là cam kết của Schneider Electric trong việc cung cấp sản phẩm với hiệu suất môi trường tốt nhất. Green Premium cam kết tuân thủ các quy định mới nhất, minh bạch về tác động môi trường, cũng như các sản phẩm tuần hoàn và CO<sub>2</sub> thấp.

**Hướng dẫn đánh giá tính bền vững của sản phẩm** là tài liệu kỹ thuật phổ thông giúp làm rõ các tiêu chuẩn nhân sinh thái toàn cầu và cách diễn giải việc khai báo môi trường.

[Tìm hiểu thêm về Green Premium >](#)

[Hướng dẫn đánh giá về sự bền vững của sản phẩm >](#)



Minh bạch RoHS/REACH

## Hiệu suất sức khỏe

Reach Free Of Svhc

Toxic Heavy Metal Free

Mercury Free

Rohs Exemption Information Yes

## Chứng nhận & Tiêu chuẩn

Reach Regulation

[REACH Declaration](#)

Eu Rohs Directive

Compliant

[EU RoHS Declaration](#)

China Rohs Regulation

[China RoHS declaration](#)

Environmental Disclosure

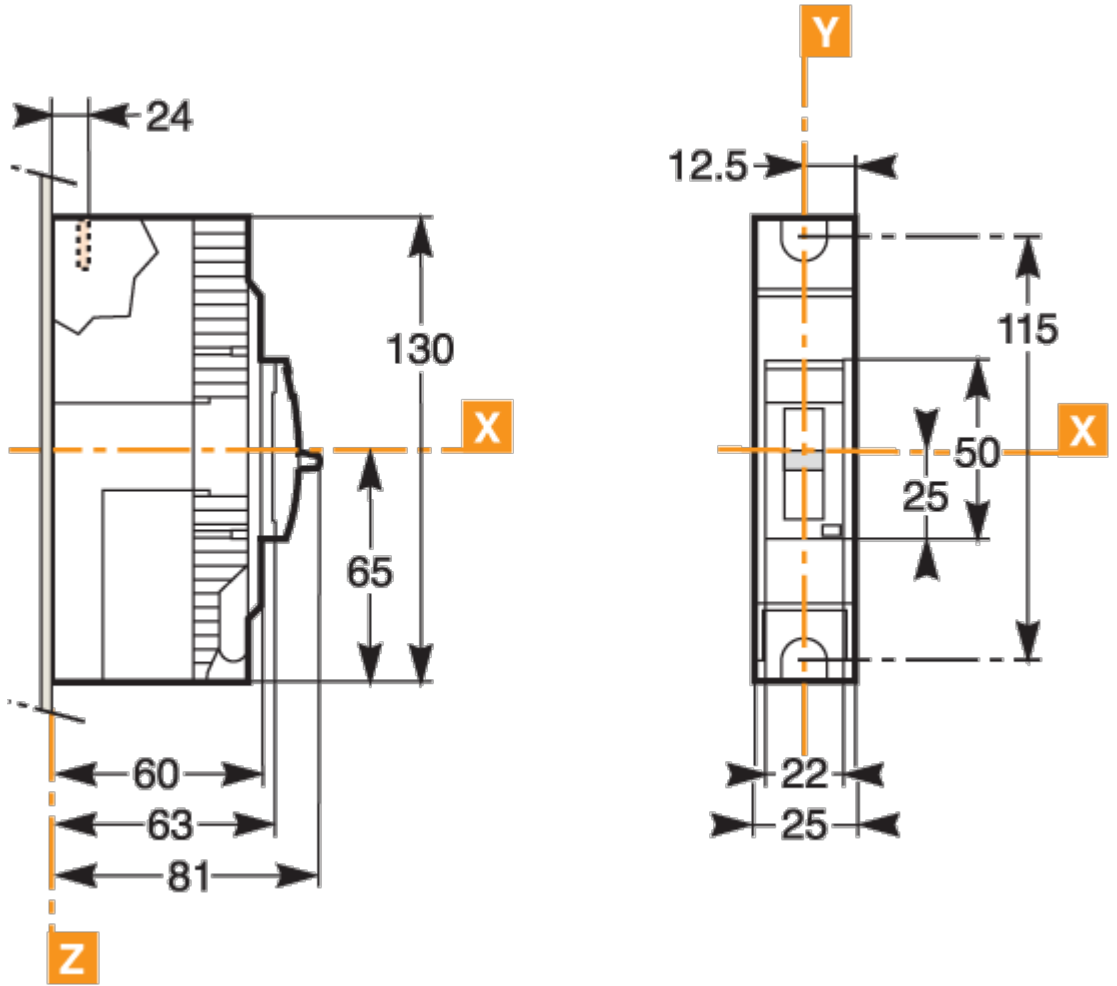
[Product Environmental Profile](#)

Weee

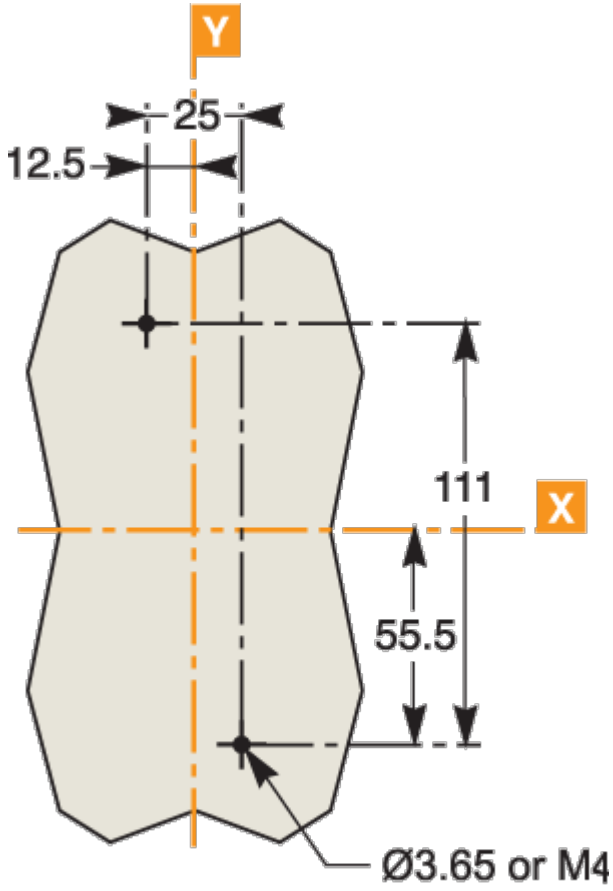
The product must be disposed on European Union markets following specific waste collection and never end up in rubbish bins

Circularity Profile

No need of specific recycling operations



Assembly



Performance Curves

