

Product datasheet

Specifications



single phase power supply,
100...240V input, 24V DC output,
108W, 4,5A

ABL2REM24045K

Main

Range Of Product	Easy Modicon ABL2
Product Or Component Type	Power supply
Power Supply Type	Regulated switch mode
Rated Power In W	108 W
Main Input Voltage	100...240 V AC single phase
Output Voltage	24 V DC
Power Supply Output Current	4.5 A
Operating Position	Any position
Vibration Resistance	4 gn (f= 10...500 Hz) conforming to EN/IEC 61131-2
Name Of Test	Electromagnetic hypersensitivity (EHS) conforming to EN 61000-6-2 level A

Complementary

Input Voltage Limits	85...264 V
Network Frequency	47...63 Hz
Inrush Current	50 A at 100...240 V AC
Cos Phi	0.45
Efficiency	89 %
Power Dissipation In W	13.3 W
Current Consumption	1.1 A at 240 V
Input Protection Type	Integrated fuse (not interchangeable)
Output Voltage Limits	20.4...27.6 V
Line And Load Regulation	+/- 1 %
Holding Time	>= 10 ms at 115 V
Output Protection Type	Against overload, protection technology: 1.1...1.5 x In Against short-circuits, protection technology: 1.1...1.5 x In Against overvoltage, protection technology: 28.8...33.6 V
Connections - Terminals	For ground connection: screw type terminals, connection capacity: 1 x 4 mm ² AWG 12
Marking	CE
Electromagnetic Compatibility	Immunity to electromagnetic interference conforming to EN 55022 class B
Mounting Support	DIN rail with accessory DIN rail with accessory
Operating Altitude	5000 m

Output Coupling	Series
Overvoltage Category	II
Meantime Between Failure [Mtbf]	600000 h at 25 °C
Status Led	1 LED (green) output voltage
Width	129 mm
Height	97 mm
Depth	30 mm
Net Weight	0.35 kg

Environment

Product Certifications	EAC IC RoHS KC RCM
Ip Degree Of Protection	IP20 conforming to IEC 62368-1
Ambient Air Temperature For Operation	-30...70 °C (with power derating of 2.5 % per °C)
Ambient Air Temperature For Storage	-40...85 °C
Relative Humidity	10...95 %
Overvoltage Category	Class I conforming to IEC 62368-1
Pollution Degree	2
Dielectric Strength	2000 V between input and ground

Packing Units

Unit Type Of Package 1	PCE
Number Of Units In Package 1	1
Package 1 Height	3.6 cm
Package 1 Width	10.4 cm
Package 1 Length	13.8 cm
Package 1 Weight	400.0 g
Unit Type Of Package 2	S03
Number Of Units In Package 2	42
Package 2 Height	30.0 cm
Package 2 Width	30.0 cm
Package 2 Length	40.0 cm
Package 2 Weight	16.869 kg
Unit Type Of Package 3	P06
Number Of Units In Package 3	504
Package 3 Height	90.0 cm
Package 3 Width	80.0 cm
Package 3 Length	60.0 cm
Package 3 Weight	210.928 kg

Sustainability

Green Premium™ label is Schneider Electric's commitment to delivering products with best-in-class environmental performance. Green Premium promises compliance with the latest regulations, transparency on environmental impacts, as well as circular and low-CO₂ products.

[Learn more >](#)

Well-being performance



Reach Free Of Svhc

Reach Regulation

[REACH Declaration](#)

Eu Rohs Directive

Pro-active compliance (Product out of EU RoHS legal scope)

[EU RoHS Declaration](#)

China Rohs Regulation

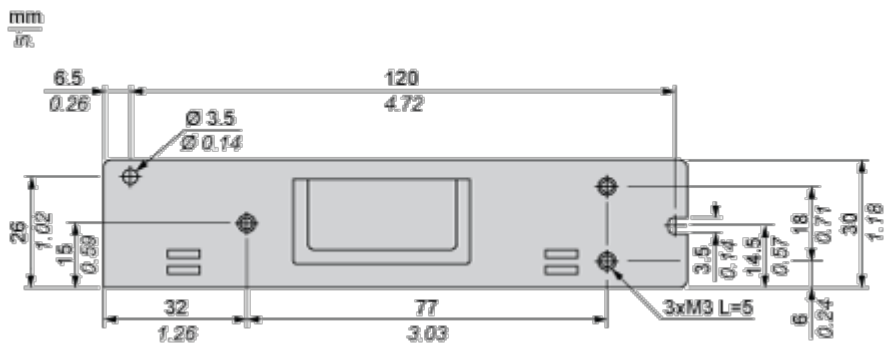
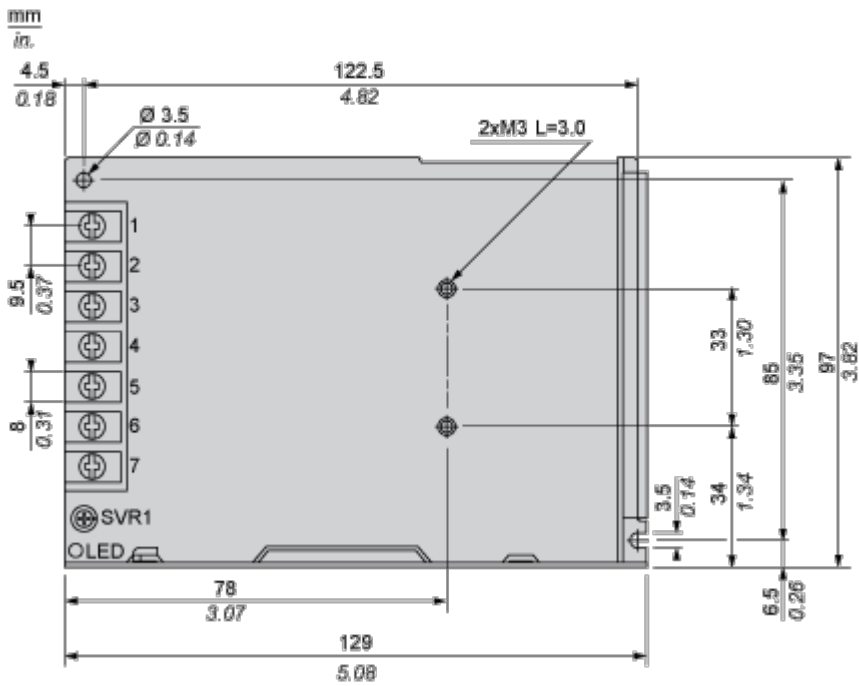
[China RoHS declaration](#)

Product datasheet ABL2REM24045K

Dimensions Drawings

Dimensions Drawings

Mechanical Dimensions

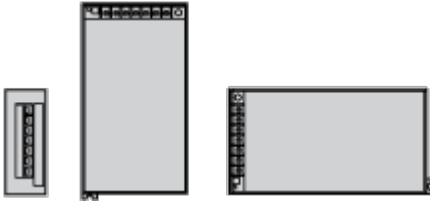


Product datasheet ABL2REM24045K

Mounting and Clearance

Mounting and Clearance

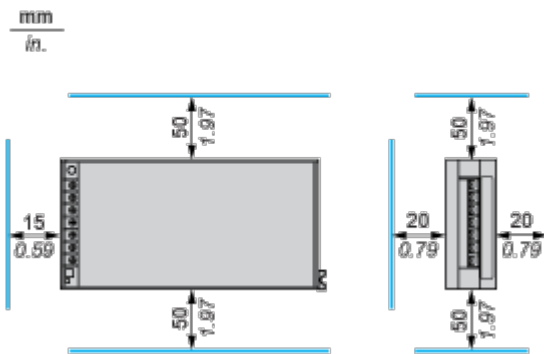
Vertical Mounting



Horizontal Mounting



Clearance

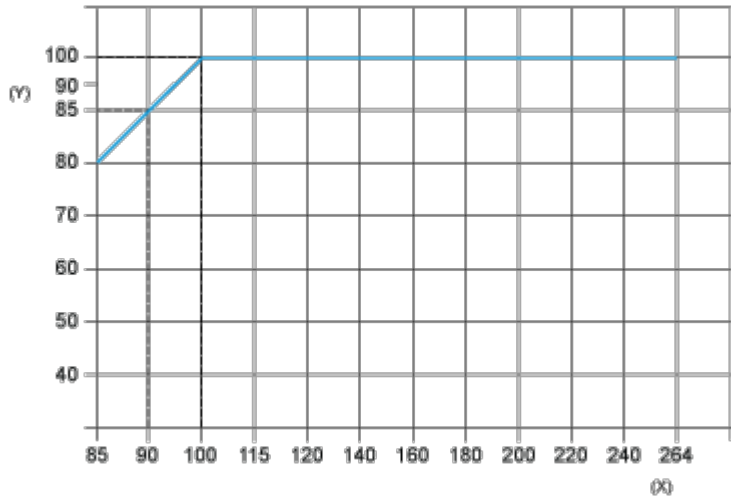


Product datasheet ABL2REM24045K

Performance Curves

Performance Curves

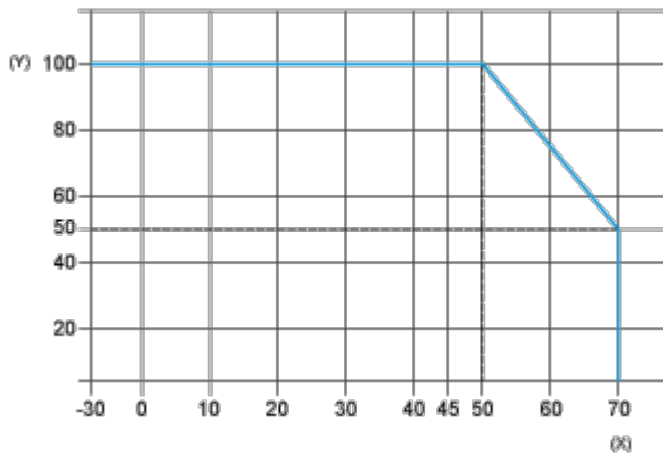
Static Characteristics



(y) Load %

(x) Input voltage (VAC) 50/60 Hz

Derating Curve



(y) Load %

(x) Ambient temperature (°C)