

# Product datasheet

Specifications



single phase power supply,  
100...240V input, 24V DC output,  
36W, 1,5A

ABL2REM24015K

## Main

Range Of Product	Easy Modicon ABL2
Product Or Component Type	Power supply
Power Supply Type	Regulated switch mode
Rated Power In W	36 W
Main Input Voltage	100...240 V AC single phase
Output Voltage	24 V DC
Power Supply Output Current	1.5 A
Operating Position	Any position
Vibration Resistance	4 gn (f= 10...500 Hz) conforming to EN/IEC 61131-2
Name Of Test	Electromagnetic hypersensitivity (EHS) conforming to EN 61000-6-2 level A

## Complementary

Input Voltage Limits	85...264 V
Network Frequency	47...63 Hz
Inrush Current	45 A at 100...240 V AC
Cos Phi	0.45
Efficiency	87 %
Power Dissipation In W	5.4 W
Current Consumption	0.4 A at 240 V
Input Protection Type	Integrated fuse (not interchangeable)
Output Voltage Limits	20.4...27.6 V
Line And Load Regulation	+/- 1 %
Holding Time	>= 12 ms at 115 V
Output Protection Type	Against overload, protection technology: 1.1...1.5 x In Against short-circuits, protection technology: 1.1...1.5 x In Against overvoltage, protection technology: 28.8...33.6 V
Connections - Terminals	For ground connection: screw type terminals, connection capacity: 1 x 4 mm <sup>2</sup> AWG 12
Marking	CE
Electromagnetic Compatibility	Immunity to electromagnetic interference conforming to EN 55022 class B
Mounting Support	DIN rail with accessory Panel mounting with accessory
Operating Altitude	5000 m

<b>Output Coupling</b>	Series
<b>Overvoltage Category</b>	II
<b>Meantime Between Failure [Mtbf]</b>	600000 h at 25 °C
<b>Status Led</b>	1 LED (green) output voltage
<b>Width</b>	99 mm
<b>Height</b>	82 mm
<b>Depth</b>	30 mm
<b>Net Weight</b>	0.23 kg

## Environment

<b>Product Certifications</b>	EAC IC RoHS KC RCM
<b>Ip Degree Of Protection</b>	IP20 conforming to IEC 62368-1
<b>Ambient Air Temperature For Operation</b>	-30...70 °C (with power derating of 2.5 % per °C)
<b>Ambient Air Temperature For Storage</b>	-40...85 °C
<b>Relative Humidity</b>	10...95 %
<b>Overvoltage Category</b>	Class I conforming to IEC 62368-1
<b>Pollution Degree</b>	2
<b>Dielectric Strength</b>	2000 V between input and ground

## Packing Units

<b>Unit Type Of Package 1</b>	PCE
<b>Number Of Units In Package 1</b>	1
<b>Package 1 Height</b>	3.744 cm
<b>Package 1 Width</b>	8.79 cm
<b>Package 1 Length</b>	10.549 cm
<b>Package 1 Weight</b>	231.0 g
<b>Unit Type Of Package 2</b>	S03
<b>Number Of Units In Package 2</b>	63
<b>Package 2 Height</b>	30.0 cm
<b>Package 2 Width</b>	30.0 cm
<b>Package 2 Length</b>	40.0 cm
<b>Package 2 Weight</b>	15.19 kg

## Sustainability

**Green Premium™ label** is Schneider Electric's commitment to delivering products with best-in-class environmental performance. Green Premium promises compliance with the latest regulations, transparency on environmental impacts, as well as circular and low-CO<sub>2</sub> products.

[Learn more >](#)

## Well-being performance



Reach Free Of Svhc

---

### Reach Regulation

[REACH Declaration](#)

---

### Eu Rohs Directive

Pro-active compliance (Product out of EU RoHS legal scope)

[EU RoHS Declaration](#)

---

### China Rohs Regulation

[China RoHS declaration](#)

---

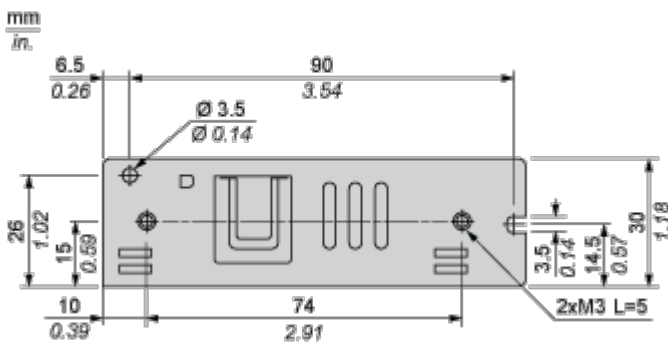
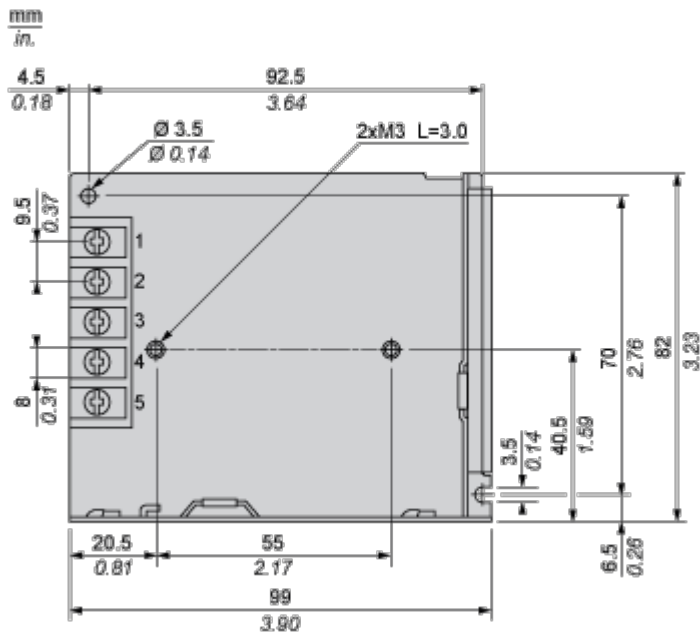
# Product datasheet ABL2REM24015K

## Dimensions Drawings

### Dimensions Drawings

---

### Mechanical Dimensions



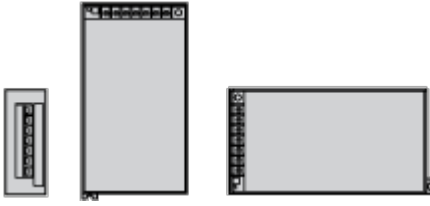
# Product datasheet ABL2REM24015K

## Mounting and Clearance

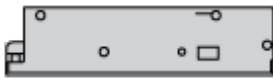
### Mounting and Clearance

---

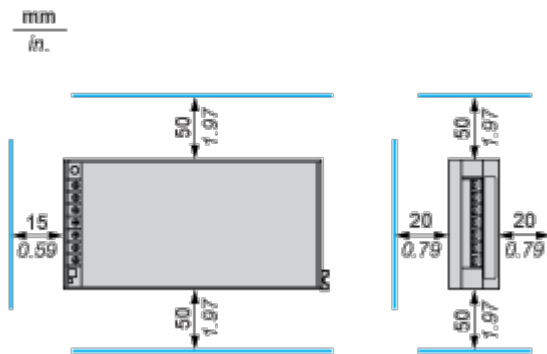
#### Vertical Mounting



#### Horizontal Mounting



#### Clearance



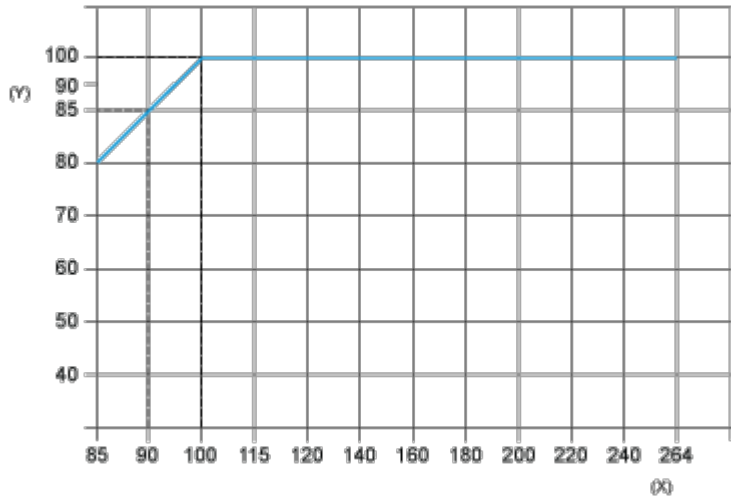
# Product datasheet ABL2REM24015K

## Performance Curves

### Performance Curves

---

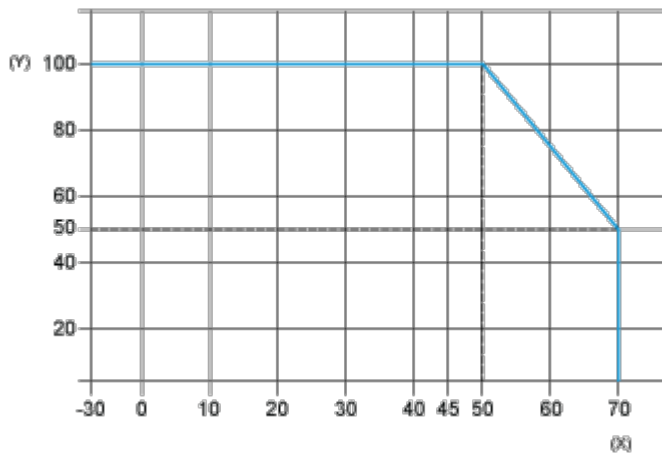
#### Static Characteristics



(y) Load %

(x) Input voltage (VAC) 50/60 Hz

#### Derating Curve



(y) Load %

(x) Ambient temperature (°C)