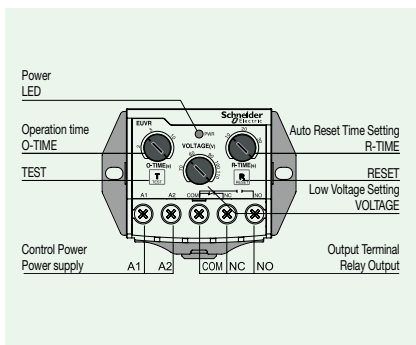


# EUVR

## Static AC Undervoltage Relay



- Micro-compact design
- Under voltage protection
- Single-phase
- A wide range of voltage settings, including continuously variable settings
- LED for operating voltage check and operation status display
- No intermittent voltage fluctuation and malfunction thanks to the signal accumulation prevention circuit
- Strong environmental resistance
- Only N TYPE available

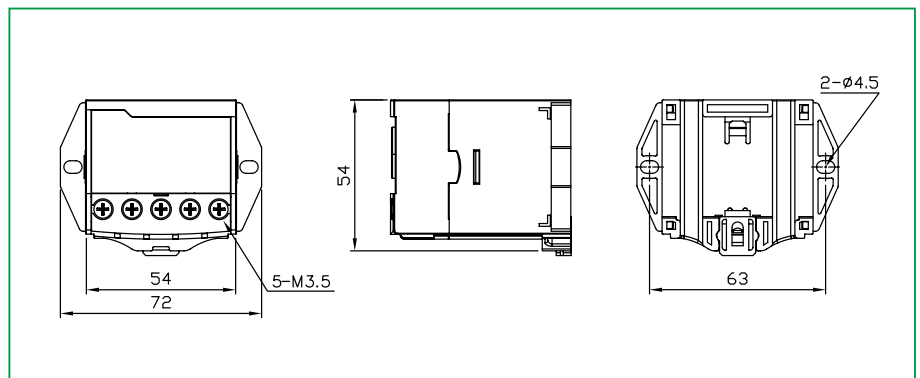
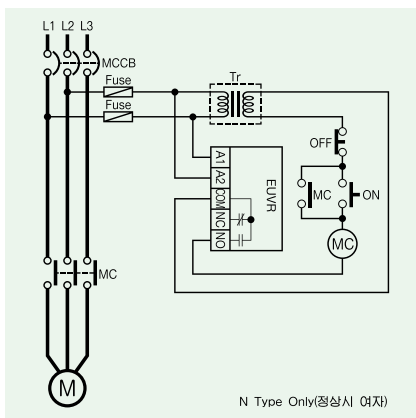


### Protection Function

| List         | Operation Time |
|--------------|----------------|
| Over Voltage | O-TIME         |

### Specifications

|                                    |                      |                          |  |
|------------------------------------|----------------------|--------------------------|--|
| <b>Voltage Settings</b>            | Type                 | Settings range (EUVR)    |  |
|                                    | 110                  | AC70V - 110V             |  |
|                                    | 220                  | AC160V - 220V            |  |
|                                    | 380                  | AC300V - 380V            |  |
| <b>Time Settings</b>               | Operation Time       | O-TIME                   | 0.2 - 10 seconds   |
|                                    | Reset Delay          | R-TIME                   | 0.5 - 30 seconds   |
| <b>Reset</b>                       |                      |                          | Manual/Auto reset  |
| <b>Operation Status Display</b>    |                      |                          | LED  |
| <b>Tolerance</b>                   | Voltage              |                          | ±5%  |
|                                    | Time                 |                          | ±5%  |
| <b>Insulation</b>                  | Voltage              | Between case and circuit | 10MΩ or over with a DC500V Megger                                |
|                                    | Withstanding Voltage | Between case and circuit | 2.0kV power frequency for 1 minute                               |
|                                    |                      | Between contacts         | 1.0kV power frequency for 1 minute                               |
|                                    |                      | Between circuits         | 2.0kV power frequency for 1 minute                               |
| <b>Auxiliary Contact</b>           | 1-SPDT (1C)          |                          | AC250V/3A Resistive load   |
| <b>Auxiliary Contact Condition</b> | N TYPE               |                          | Normally energized (When input voltage is normal: COM-NO: Close) |
| <b>Environment</b>                 | Temperature          | Storage                  | -30 - 80°C   |
|                                    |                      | Operation                | -20 - 60°C   |
| <b>Humidity</b>                    |                      |                          | 30% - 85% RH at non-condensing state                             |
|                                    | <b>Installation</b>  |                          |  |



# EUVR

## How to Order

|      | Reference | Input Voltage [V] | Output Contact | Frequency |
|------|-----------|-------------------|----------------|-----------|
| EUVR | -110N7    | AC110V            | N              | 50/60     |
|      | -220N7    | AC220V            | N              | 50/60     |
|      | -380N7    | AC380V            | N              | 50/60     |

## Ordering Example

To order an EUVR:

E U V R - 1 1 0 N 7  
① ② ③

|   |                          |     |                    |
|---|--------------------------|-----|--------------------|
| ① | Input Voltage            | 110 | AC70V - 110V       |
|   |                          | 220 | AC160V - 220V      |
|   |                          | 380 | AC300V - 380V      |
| ② | Output Contact Condition | R   | Normally Energized |
| ③ | Frequency                | 7   | 50/60Hz            |