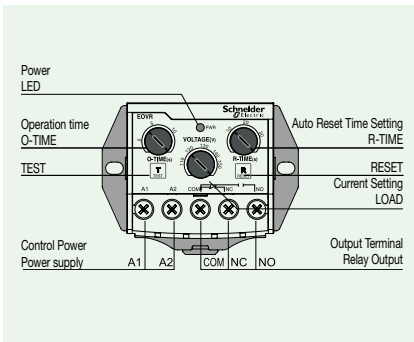


EOCR

Static AC Undervoltage Relay



- Micro-compact design
- Over Voltage protection
- Single-phase
- A wide range of voltage settings are available for a continuously variable setting
- LED for operating voltage check and operation status display
- Stable operation even with intermittent voltage fluctuation thanks to the signal accumulation prevention circuit
- Strong environmental resistance
- Only R TYPE available

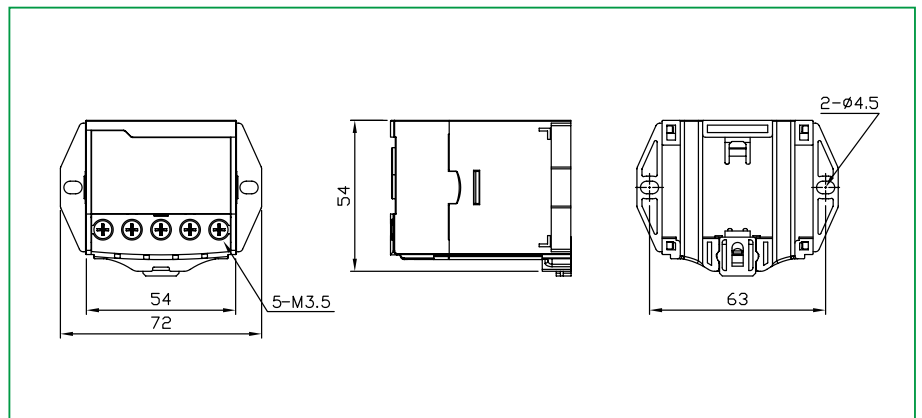
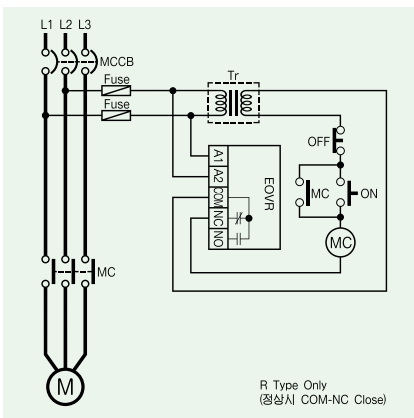


Protection Function

List	Operation Time
Over Voltage	O-TIME

Specifications

Voltage Settings		Type	Settings range
		110	AC110V - 150V
		220	AC220V - 300V
		380	AC380V - 460V
Time Settings	Operation Time	O-TIME	0.2 - 10 seconds
	Reset Time	R-TIME	0.5 - 30 seconds
Reset			Manual/Auto reset
Operation Status Display			LED
Tolerance	Voltage		±5%
	Time		±5%
Insulation	Voltage	Between case and circuit	10MΩ or over with a DC500V Megger
	Withstanding Voltage	Between case and circuit	2.0kV power frequency for 1 minute
		Between contacts	1.0kV power frequency for 1 minute
		Between circuits	2.0kV power frequency for 1 minute
Auxiliary Contact		1-SPDT (1C)	AC250V/3A Resistive load
Auxiliary Contact Condition		R TYPE	Normally de-energized (COM-NC : Close)
Environment	Temperature	Storage	-30 - 80°C
		Operation	-20 - 60°C
	Humidity		30% - 85% RH at non-condensing state
Installation		35mm DIN-Rail/Panel	



EOVR

How to Order

Reference	Input Voltage [V]	Output Contact	Frequency
EOVR -110R7	AC110V	R	50/60
EOVR -220R7	AC220V	R	50/60
EOVR -380R7	AC380V	R	50/60

Ordering Example

To order an EOVR:

E O V R - 1 1 0 R 7

① ② ③

①	Input Voltage	110	AC110V - 150V
		220	AC220V - 300V
		380	AC380V - 460V
②	Output Contact Condition	R	Normally De-energized
③	Frequency	7	50/60Hz