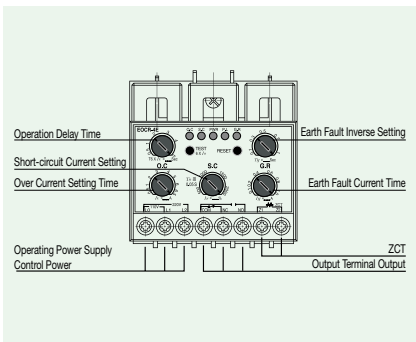


EOCR-4E

Multi-purpose current relay with short-circuit, earth fault functions



- Micro compact size
- Over current/phase loss/short-circuit/earth fault protection
- Inverse operation characteristics
- Actual current check/Trip cause display (5 LEDs)

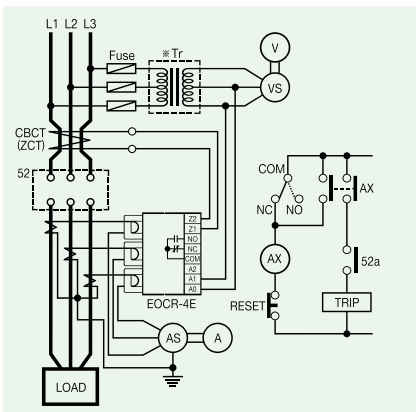
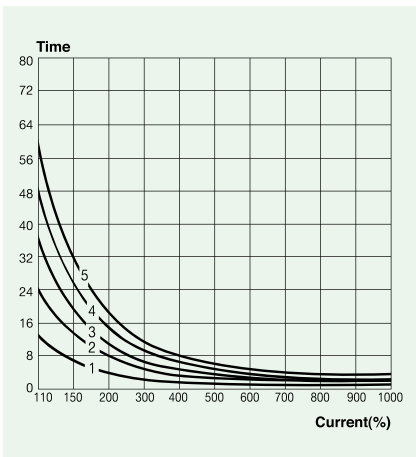


Protection Function

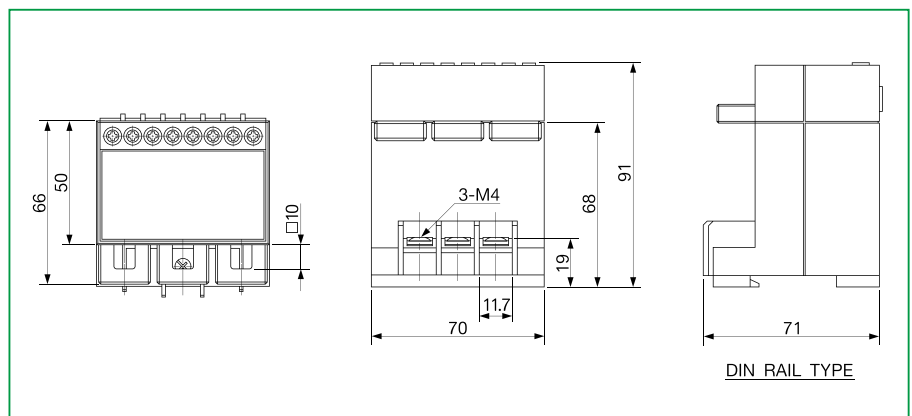
Protected Items	Operation Time
Over Current	O-TIME
Phase Loss	4 sec (Definite)
Short-circuit	0.05 sec (Instantaneous)
Earth Fault (Grounding)	0.3~1.0 sec (Zero phase current detection method)

Specifications

Current Setting	Type	Setting Range	
	Over Current	1~6A	
	Short-circuit current	500~2000%	
	Earth Fault Current	0.1~1A	
Operation Time Setting	Over Current	1~5	Inverse
	Short-circuit	0.05 sec	Instantaneous
	Earth Fault	0.3~1 sec	Definite
Reset	Manual (instant)/electrical (remote) reset		
Operation Display	LED LAMP (5 LEDs)		
Operating Power Supply	Voltage	AC110(A0, A1)/220(A0, A2)V	
	Frequency	50/60Hz	
Auxiliary Contact	Capacity	1-SPDT (1C), AC250V/5A resistive load	
	State	COM- \downarrow -No (closed after operating voltage is supplied) COM- \downarrow -NC (opened after operating voltage is supplied)	
Error Tolerance	Current	$\pm 10\%$	
	Time	$\pm 10\%$	
Insulation	Resistance	Between case and circuit	10M Ω or higher with a DC500V Megger
	Withstanding Voltage	Between case and circuit	2.0kV power frequency for 1 min
		Between contacts	1.0kV power frequency for 1 min
	Between circuits	2.0kV power frequency for 1 min	
Usage Environment	Temperature	For operation	-20~60°C
		For storage	-30~80°C
	Humidity	30~85% RH with no dew condensation	
Power Consumption	Below 2W		
Attachment	35mm DIN Rail/Panel		



※For ZCT terminal, it must be used without ground connection.



EOCR-4E

How to Order

Reference		Current Range [A]	Output Contact	Operating Power Supply		Mounting
				Voltage [V]	Frequency [Hz]	
EOCR4E	-05NY7	5	N	AC 110/220V	50/60	For both Panel/DIN Rail
	KI05NY7	5	N	AC 110/220V	50/60	KERI

• Accessory

Accessory1		
Model	Reference	Hole Diameter (m/m)
ZCT	ZCT-035	35
	ZCT-080	80
	ZCT-120	120

Ordering Example

e.g., To order an EOCR-4E:

E O C R 4 E - 0 5 N Y 7

① ② ③ ④

①	Certification	-	No Official Test Required
		KI	KERI Test
②	Current Range	5	1-6A
③	Output Contact State	N	Normally Energized
④	Operating Power Supply/ Frequency	Y7	AC110/220V, 50/60Hz

e.g., To order a ZCT

Z C T - 0 3 5

①

①	Hole Diameter	35	35mm
		80	80mm
		120	120mm