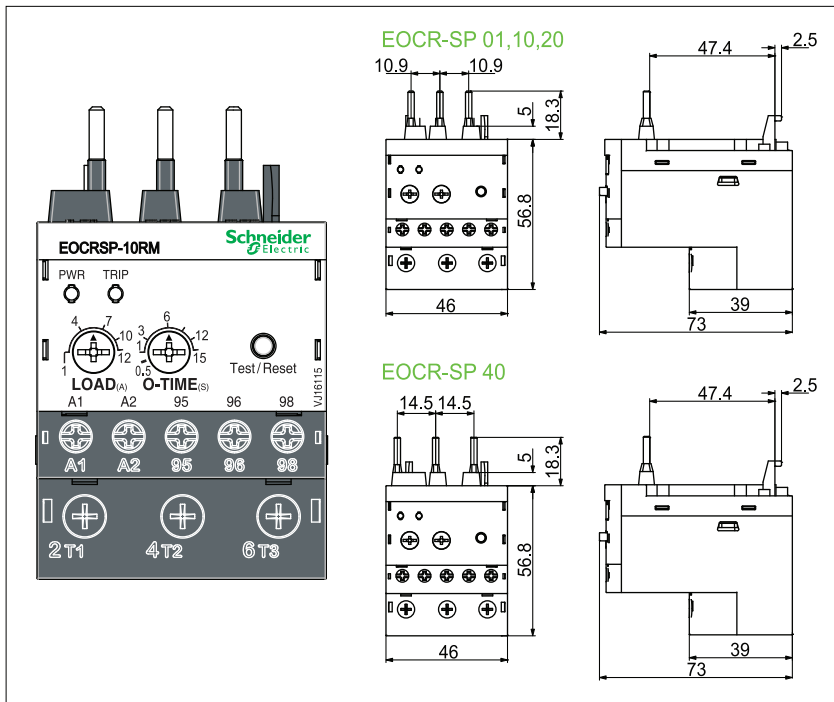


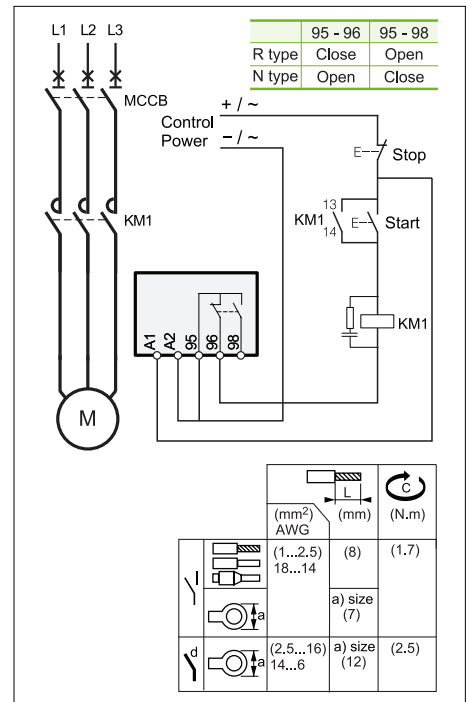
EOCR-SP

직결형 전자식 과전류 계전기

> 외형도



> 결선도



> 보호기능

모델	Type	보호기능			동작특성	시간설정	
		과전류	결상	구속		기동지연	동작시간
EOCR-SP	01,10,20,40	O	▲	▲	정한시	X	0.5,1~15s

* 결상, 구속보호는 과전류로 동작한다.

> 정격사양

Current Setting	Type	Current Range
	01	0.1~1.2A
	10	1~12A
	20	2~25A
Time Setting	O-Time (Operating Delay)	0.5,1-15s (marking at 0.5,1,3,6,9,12,15)
	Test / Reset	Press Test / Reset button > O-Time
Operating Characteristic	Test	Press Test / Reset button
	Reset	Press Test / Reset button
Trip Indication		LEDs : Refer to 'Indicating LED'
Tolerance	Current	10/20/40 type : ±10%
	Time	01 type : ±10% + 10% of FLC
Ambient Temperature	Storage	±15%(T<1s : ±0.3s)
Ambient Humidity	Operation	-30~80°C
Control Voltage		-20~60°C
Output Contacts		30~85% RH without Condensation
	Contacts	• 24 V AC/DC, +10%,-15%, 50/60Hz
	Type	• 100~120 V AC, +10%,-15%, 50/60Hz
절연저항		• 220~240 V AC, +10%,-15%, 50/60Hz
		1-SPDT 3A/250VAC(1c), Resistive
Electrostatic Discharge(ESD)		R-type Normally De-energized: 95-96 Close. 95-98 Open.
		N-type Normally Energized: 95-96 Open. 95-98 Close.
	회로와 외함 간	DC500V 10MΩ
	절연내압 회로와 외함 간	2KV, 50/60Hz, 1분
Radiated Disturbance	접점 상호 간	1KV, 50/60Hz, 1분
	회로 간	2KV, 50/60Hz, 1분
Conducted Disturbance		Level 3 : Air Discharge : ±8kV Contact Discharge : ±6kV
EFT/Burst		Level 3 : 10V/m, 80 ~ 1000MHz
Surge		Level 3 : 10V,0.15~80MHz
Emission		Level 3 : ±2Kv, 1분
		Level 3 : 1.2 x 50µs,±4kV (0,90,180,270)
		Class A(Conducted and Radiated)