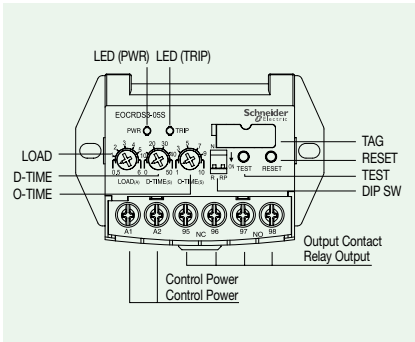


EOCR-DS1 (T)/DS3 (T)

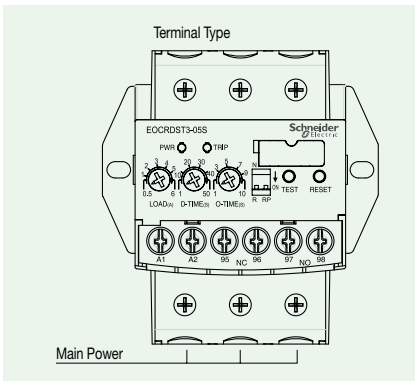


EOCR-DS1(T) / DS3(T)

- Built-in MCU (Microprocessor Control Unit)
- Micro Slim Design
- Various protection functions
- Separate settings for start delay time and operation time
- Operating current check: Red LED
- Operation display and trip cause check
- Manual (instant)/electrical reset
- Strong environmental resistance
- Super energy-saver
- No-voltage release/Fail-safe operation→ N type
- ※ (T): Terminal Type
- ※ AC/DC Operating Power Supply Integration (Free voltage)
- ※ DS1(T), DS3(T): for 3-phase
- ※ Can select N/R via frontal DIP SW, can set reverse phase to ON/OFF



EOCR-DS



EOCR-DST

Protection Functions and Characteristics

Model	Protection Function				Operation Characteristics	Operation Time		Protected Items	Operation Time
	Over Current	Phase Loss	Reverse Phase	Locked Rotor		Start Delay	Operation Time		
DS1 (T)	○	○	○	○	Inverse	0~50 sec	1~10 sec	Over Current	Operates after the set O-Time
DS3 (T)	○	○	○	○	Definite	1~50 sec	1~10 sec	Phase Loss	Within 4 sec
								Reverse Phase	Operates in 0.3 sec
								Locked Rotor	Operates after the set D-Time

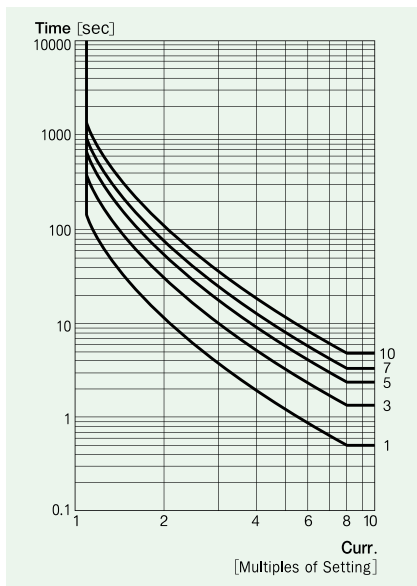
- Locked rotor protection operates instantly when current equal to 300% of the set current or higher flows after the set start delay time (D-TIME).
- Over Current operation time of DS1(T) depends on the Inverse characteristic curve.

Trip Cause Check

EOCR-DS1 [T]/DS3 [T]

Condition	LED Signal (Pulse Chart)					
		Green LED		Red LED		
Power Supply	Flicker		Lights-out			
In Operation	Flicker		Flicker			
Normal operation	Lights-on		Lights-out			
In overload	Lights-on		Flicker			
Upon operation /trip	Over Current	Lights-out		Lights-on		
	Locked Rotor	Lights-out		Flicker		
	Phase Loss	L1	Lights-out		Repeats flickering once	
		L2	Lights-out		Repeats flickering 2 times	
		L3	Lights-out		Repeats flickering 3 times	
Reverse Phase	Repeats alternate flickering					

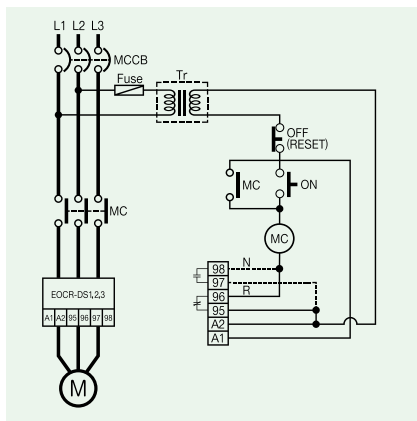
EOCR-DS1 (T)/DS3 (T)



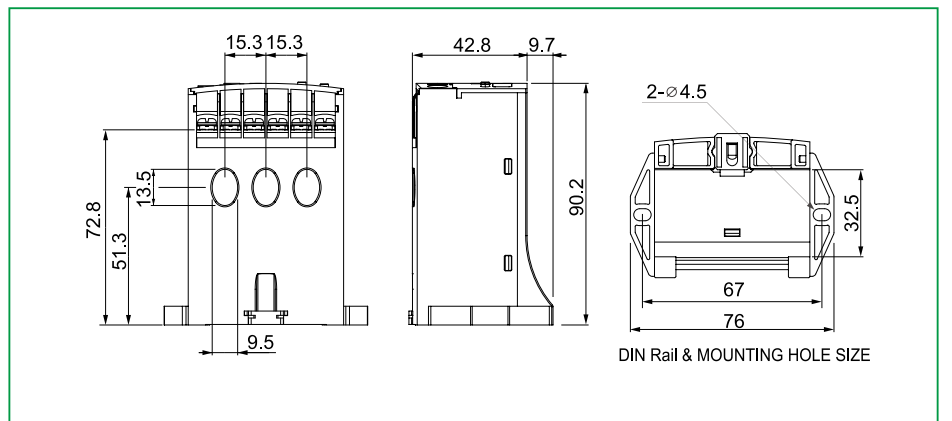
EOCR-DS1 (T)-05Type Inverse Characteristic Curve

Specifications

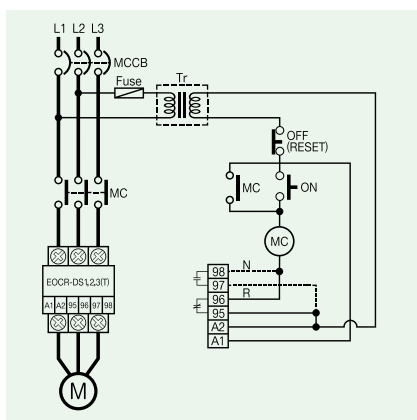
Current Setting		Type	Setting Range (DS1)	Setting Range (DS3)	
		5	0.5~6A	0.5~6A	
		30	3.0~30A	3.0~30A	
		60	-	5.0~60A	
Time Setting	Start Delay Time	D-TIME	0~50 sec	1~50 sec	
	Operation Time	O-TIME	1~10 sec	1~10 sec	
Reset		Manual (instant)/electrical (remote) reset			
Operation Time Characteristic		Inverse		Definite	
Operating Power Supply	Voltage	S	24~240V AC/DC		
	W	380~480V AC			
Frequency		50/60Hz			
Auxiliary Contact		Type	2-SPST (1a1b)		
		State	R Type	Normally de-energized (regardless of power supply: 95-96 Close, 97-98 Open)	
			N Type	Normally energized (after power is supplied: 95-98 Open, 97-98 Close)	
Rating		AC250V/3A resistive load			
Attachment		35mm DIN Rail/Panel			



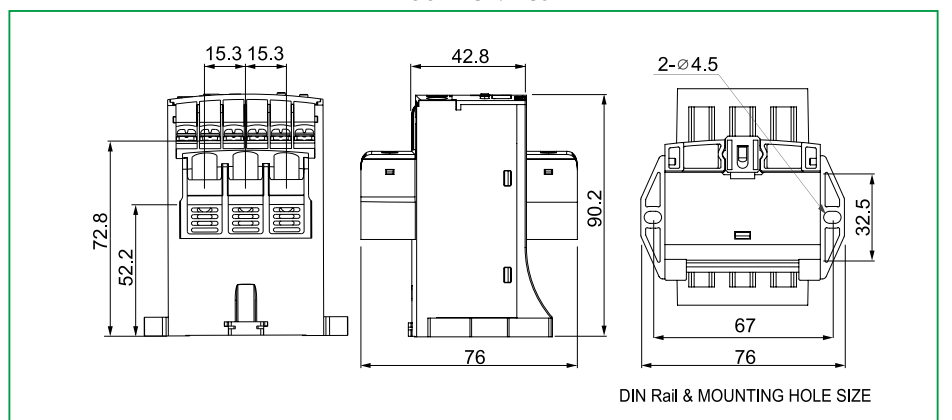
-DS1/DS3



EOCR-DS1 / DS3



EOCR-DS1T/DS3T



EOCR-DS1T / DS3T

※ "N" (Fail safe) Type converts 95-96 to open and 97-98 to close when operating power is supplied to A1 and A2 (or L1 and L2).

EOCR-DS1 (T)/DS3 (T)

How to Order

Reference	Current Range [A]	CT	Output Contact	Operating Power Supply		Attachment	
				Voltage [V]	Frequency [Hz]		
EOCRDS1	- 05S	5		Can select N/R	AC/DC 24~240V	DC or AC 50/60	For both Panel/DIN Rail
	- 05W	5		Can select N/R	AC 380~440V	50/60	For both Panel/DIN Rail
	- 30S	30		Can select N/R	AC/DC 24~240V	DC or AC 50/60	For both Panel/DIN Rail
	- 30W	30		Can select N/R	AC 380~440V	50/60	For both Panel/DIN Rail
	- H1S	5	100	Can select N/R	AC/DC 24~240V	DC or AC 50/60	For both Panel/DIN-rail, 3CT combination
	- HHS	5	150	Can select N/R	AC/DC 24~240V	DC or AC 50/60	For both Panel/DIN-rail, 3CT combination
	- H2S	5	200	Can select N/R	AC/DC 24~240V	DC or AC 50/60	For both Panel/DIN-rail, 3CT combination
EOCRDS1T	- 05S	5		Can select N/R	AC/DC 24~240V	DC or AC 50/60	DIN-rail
	- 05W	5		Can select N/R	AC 380~440V	50/60	DIN-rail
	- 30S	30		Can select N/R	AC/DC 24~240V	DC or AC 50/60	DIN-rail
	- 30W	30		Can select N/R	AC 380~440V	50/60	DIN-rail
EOCRDS3	- 05S	5		Can select N/R	AC/DC 24~240V	DC or AC 50/60	For both Panel/DIN Rail
	- 05W	5		Can select N/R	AC 380~440V	50/60	For both Panel/DIN Rail
	- 30S	30		Can select N/R	AC/DC 24~240V	DC or AC 50/60	For both Panel/DIN Rail
	- 30W	30		Can select N/R	AC 380~440V	50/60	For both Panel/DIN Rail
	- 60S	60		Can select N/R	AC/DC 24~240V	DC or AC 50/60	For both Panel/DIN Rail
	- 60W	60		Can select N/R	AC 380~440V	50/60	For both Panel/DIN Rail
	- H1S	5	100	Can select N/R	AC/DC 24~240V	DC or AC 50/60	For both Panel/DIN-rail, 3CT combination
	- HHS	5	150	Can select N/R	AC/DC 24~240V	DC or AC 50/60	For both Panel/DIN-rail, 3CT combination
	- H2S	5	200	Can select N/R	AC/DC 24~240V	DC or AC 50/60	For both Panel/DIN-rail, 3CT combination
	- H3S	5	300	Can select N/R	AC/DC 24~240V	DC or AC 50/60	For both Panel/DIN-rail, 3CT combination
EOCRDS3T	- 05S	5		Can select N/R	AC/DC 24~240V	DC or AC 50/60	For both Panel/DIN Rail
	- 05W	5		Can select N/R	AC 380~440V	50/60	For both Panel/DIN Rail
	- 30S	30		Can select N/R	AC/DC 24~240V	DC or AC 50/60	For both Panel/DIN Rail
	- 30W	30		Can select N/R	AC 380~440V	50/60	For both Panel/DIN Rail
	- 60S	60		Can select N/R	AC/DC 24~240V	DC or AC 50/60	For both Panel/DIN Rail
	- 60W	60		Can select N/R	AC 380~440V	50/60	For both Panel/DIN Rail

Ordering Example

e.g., To order an EOCR-DS1, DS3/DS1T, and DS3T:

E	O	C	R	D	S	1	-	0	5	S	
E	O	C	R	D	S	3	-	0	5	S	
E	O	C	R	D	S	1	T	-	0	5	S
E	O	C	R	D	S	3	T	-	0	5	S

①
②
③

①	Current Range	05	0.5~6A
		30	3~30A
		60	5~60A
②	Operating Power Supply/Frequency	S	AC/DC 24~240V
		W	AC 380~440V