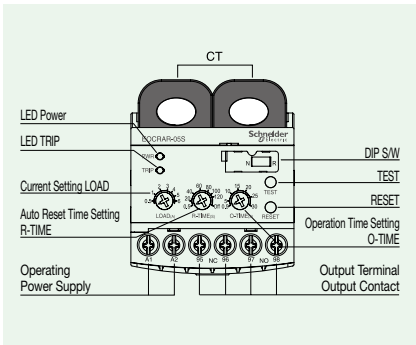


# EOCR-AR

## Auto-resettable Electronic Over Current Relay



- Micro compact size
- Protection against over current/phase loss/locked rotor (phase loss/locked rotor operates by over current)
- Start delay/operation delay time integral type
- Wide setting range: Protects up to 0.1~400A with 3 types
- Operation display and active current check (red LED)
- Strong environmental resistance
- Super energy-saver
- Auto reset (reset time setting)/manual reset
- No volt release / Fail-safe Operation→ N type
- ※ Single-phase/3-phase available



### Usage

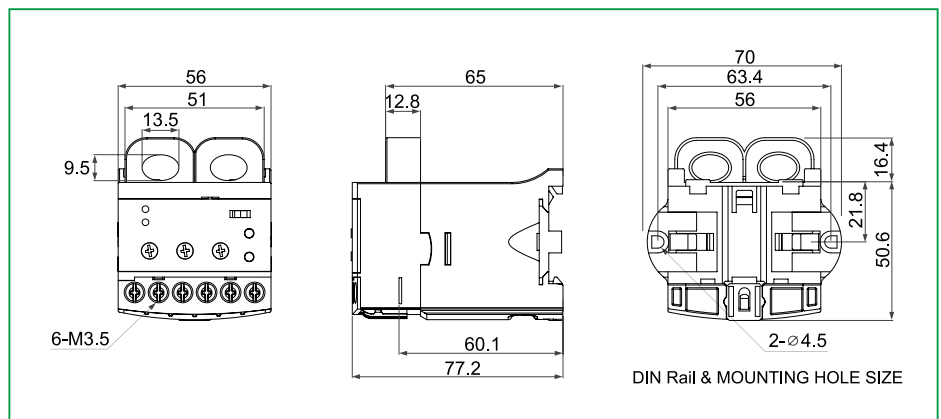
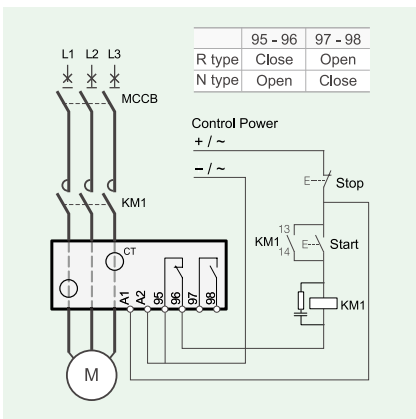
- Auto reset function appropriate for unmanned installations.

### Protection Function

Protected Items	Operation Time
Over Current	O-TIME
Phase Loss	O-TIME
Locked Rotor	O-TIME

### Specifications

<b>Current Setting</b>	Type	Setting Range	
	5	0.5~6A	
	30	3.0~30A	
	60	5.0~60A	
	60~400	Used by combining 05Type and an external CT (external CT current transformer ratio: 100/5A~400/5A)	
<b>Time Setting</b>	Operation Time	O-TIME	0.5~30 sec
	Reset Time	R-TIME	0.5~120 sec
<b>Reset</b>	Auto reset / manual (instant) reset / electrical (remote) reset		
<b>Operation Time Characteristic</b>	Definite		
<b>Operating Power Supply</b>	Voltage	S	24~240V AC/DC
	W		380~440V AC
<b>Supply</b>	Frequency	50/60Hz	
<b>Auxiliary Contact</b>	Type	2-SPST (1a1b)	
<b>Contact</b>	State	R Type	Normally de-energized (regardless of power supply: 95-96 Close, 97-98 Open)
		N Type	Normally energized (after power is supplied: 95-98 Open, 97-98 Close)
	Rating	AC250V / 3A resistive load	
<b>Attachment</b>	35mm DIN Rail / Panel		



※ "N"(Fail safe)Type converts 95-96 to open and 97-98 to close when operating power is supplied to A1 and A2 (or L1 and L2).

## How to Order

Reference	Current Range [A]	CT	Operating Power Supply		Notes	
			Voltage [V]	Frequency [Hz]		
EOCRAR	- 05S	5	-	AC/DC 24~240	DC, 50/60	-
	- 05W	5	-	AC 380~440	50/60	-
	- D1S	5	100:5	AC/DC 24~240	DC, 50/60	Rectangular all-in-one 2CT combination
	- DHS	5	150:5	AC/DC 24~240	DC, 50/60	Rectangular all-in-one 2CT combination
	- D2S	5	200:5	AC/DC 24~240	DC, 50/60	Rectangular all-in-one 2CT combination
	- D3S	5	300:5	AC/DC 24~240	DC, 50/60	Rectangular all-in-one 2CT combination
	- D4S	5	400:5	AC/DC 24~240	DC, 50/60	Rectangular all-in-one 2CT combination
	- D1W	5	100:5	AC 380~440	50/60	Rectangular all-in-one 2CT combination
	- DHW	5	150:5	AC 380~440	50/60	Rectangular all-in-one 2CT combination
	- D2W	5	200:5	AC 380~440	50/60	Rectangular all-in-one 2CT combination
	- D3W	5	300:5	AC 380~440	50/60	Rectangular all-in-one 2CT combination
	- D4W	5	400:5	AC 380~440	50/60	Rectangular all-in-one 2CT combination
	- 30S	30	-	AC/DC 24~240	DC, 50/60	-
	- 30W	30	-	AC 380~440	50/60	-
	- 60S	60	-	AC/DC 24~240	DC, 50/60	-
- 60W	60	-	AC 380~440	50/60	-	

## • Accessory

Accessory1			
Model	Reference	CT Current Transformer Ratio	Notes
2CT	2CT-D1-100-C	100:5	Rectangular 2CT
	2CT-D2-200-C	200:5	Rectangular 2CT
	2CT-D3-300-C	300:5	Rectangular 2CT
	2CT-D4-400-C	400:5	Rectangular 2CT

## Ordering Example

e.g., To order an EOCR-AR:

**E O C R A R - 0 5 S**

①      ②

①	Current Range	5	0.5~6A	For 60A or higher, combine 05Type and an external CT (secondary 5A) for use
		30	3~30A	
		60	5~60A	
②	Operating Power Supply	S	24~240V AC/DC	
		W	380~440V AC	

※For a CT combination type, please write an accessory code from the CT Order Codes separately.

e.g., To order a 2CT:

**2 C T - D 1 - 1 0 0 - C**

①

①	CT Current Transformer Ratio	D1	100	Rectangular 2CT 100:5
		D2	200	Rectangular 2CT 200:5
		D3	300	Rectangular 2CT 300:5
		D4	400	Rectangular 2CT 400:5